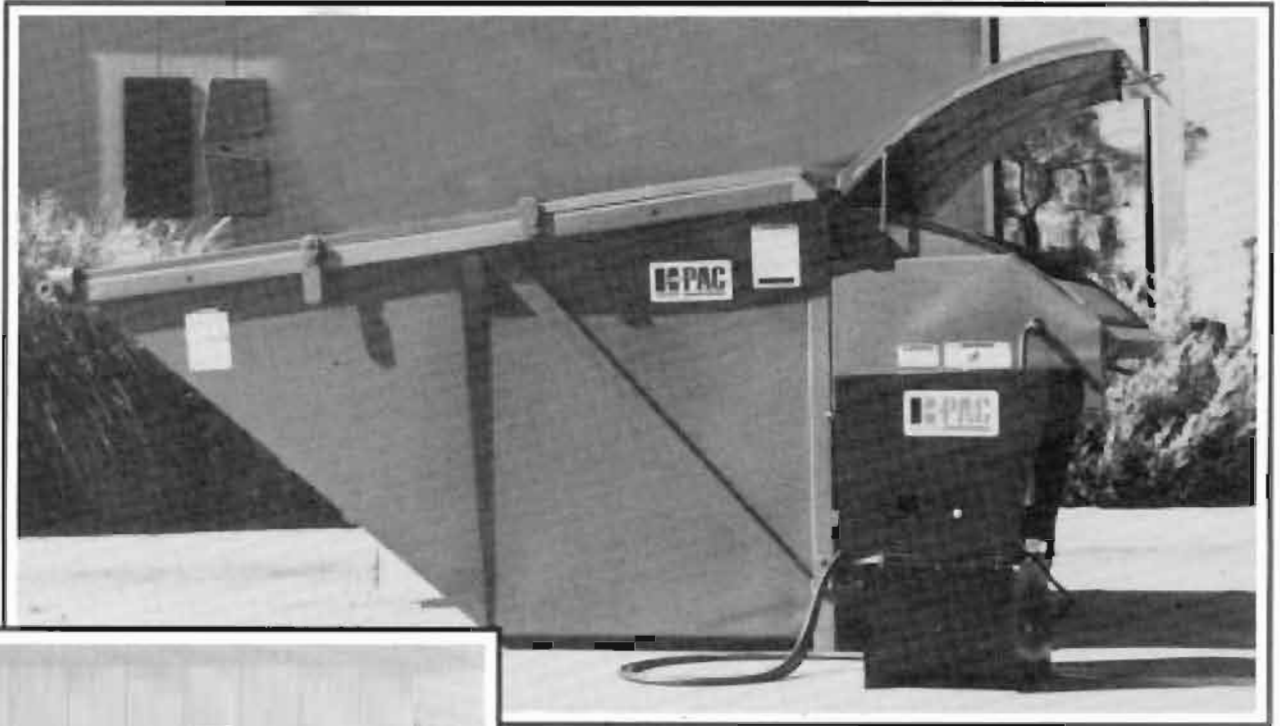


K-PAC

SELF CONTAINED COMPACTOR

KP6R

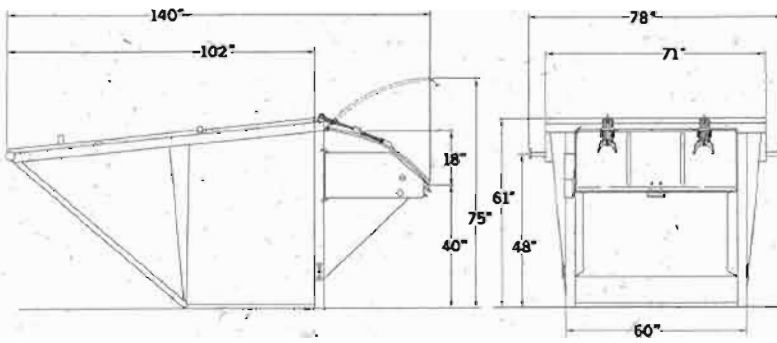


K-PAC Equipment, a division of Scranton Mfg. Corp. has established itself as a leader in innovation and dependability in the waste equipment industry. From engineering to production, K-PAC is committed to providing top quality equipment and service.

K-PAC's neat, clean appearance, in both the rear loading model and the front loading model, blends attractively with its surroundings.

With the K-PAC's low 40" loading height, even the most petite person can handle the job. Close the lid, insert the key in the Power Pack console and turn the K-PAC's powerful hydraulic system on. The packing blade automatically cycles. Incorporated in the K-PAC design are unique safety features that prevent the compaction cycle from operating while the loading chamber lid is open.

Another important safety back-up feature is a mushroom STOP button on the Power Pack console that will halt operation at any point in the cycle. The K-PAC's key-operated system also allows the charge lid to be locked for controlled access.



FEATURES

CONTAINER CAPACITY 6 Cubic Yards
 OVERALL DIMENSIONS Length 140" Width 78" Height 61"
 APPR. SHIPPING WEIGHT WITH POWER PACK 2,380 Lbs.

KP6R SELF CONTAINED COMPACTOR (REAR LOADING)

SPECIFICATIONS

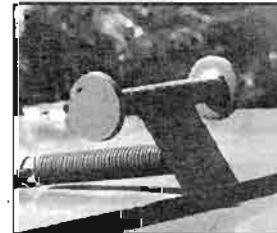
LOADING CHAMBER SIZE	Mfgs. Rating 1 .0 Cubic Yard
LOADING CHAMBER OPENING	Length 27 1/2" Width 53 1/2"
LOADING CHAMBER HEIGHT	40"
RAM FACE	Width 53" Height 46"
RAM PENETRATION	0" - 13"
PACKING PRESSURE	Normal 1550 PSI Maximum 1750 PSI
PACKING FORCE	Normal 21,900 Lbs. Maximum 24,700 Lbs.
STANDARD POWER PACK	
1) Electric Motor	3HP 1750 RPM TEFC
2) Control Panel	208/230/460 Volts 3-Phase, 60 Hertz Key Start Switch & Stop Buttons
3) Hydraulic Pump	5GPM HI-LO with 200 Mesh Screen Suction Filter
4) Hydraulic Reservoir	13 Gallons
5) Hydraulic Fluid	Dextron II ATF
6) Power Pack Cover	Protective Metal Cover with Hydraulic Hose Storage Slot
7) Hydraulic Hoses	12' with Quick Disconnect Industrial Hydraulic Couplers
HYDRAULIC CYLINDERS	2 - 3" x 16"
CYCLE TIME	26 Seconds



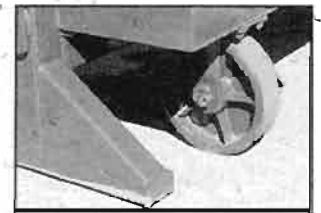
Compact Weather Proof 3 Phase and/or Single Phase Power Unit (UL Approved)



Loading Chamber Lid, Spring Assisted for Ease of Opening



Rear Load: Cable Controlled Lid Unlatching and Lift Release



Optional Wheel Mounting Kit

K-PAC

"The Trend Setters"

Scranton Mfg. Corp.
 101 State Street
 Scranton, IA 51462
 Telephone: 712 652 3396
 Fax: 712 652 3399
 Toll Free: 800 831 1858

Continued product improvement is a K-PAC goal. Therefore, we reserve the right to make any changes in illustrations, specifications, equipment and prices. Patent Pending-Electrical Components UL Approved.



Member of

W E M I

